

## 30Voice(FXO/S) over FIBER MULTIPLEXER

**Model: AZ-OP-MUX30**



### Functions:

This point to point fiber transmitting equipment, which is designed on large scale integrated circuit, realizes 1~4 E1 circuit, 1~4 channels 100M Ethernet, 30 channel voice (FXO/FXS, 2/4wire E&M) and 1~4 channel RS232. Its merits include complete warning function, high integration, low consumption, stable performance and convenient usage.

### PRODUCT CHARACTERISTIC:

- provides 4 channel E1/ G.703 for option;
- provides 4 channel 100M (liner) Ethernet ports for option;
- provides 30 channel voice port, FXO/FXS, 2/4wire E&M for option;
- provides 4 channel RS232, rate supports 300-15200 bps for option;
- Ethernet port 10/100M, full/half duplex auto-adaptable and supports VLAN;
- Ethernet port supports AUTO-MDIX (twisted cable and straight cable auto-adaptable);
- 1-30 channel voice connection, supports calling indication;
- Configuration: point to point;
- Voice port supports O port and S port, O port connects switch and S port connects user's phone;
- Optical interface supports SC/FC interface and supports single fiber interface



**Optical interface:**

Optical wavelength: single mode 1310nm/1550nm  
Fiber: single fiber or double fiber for option  
Transmitting consumption: -9dBm/-5dBm  
Transmission range: 0-50Km/120Km for option  
Optical interface: SC/FC  
Receiving and dispatching module: >-6dBm  
Optical receiver receiving sensitivity <-36 dBm (BER<10<sup>-11</sup>)  
Fiber circuit code: NRZ code

**10/100Base-T Interface:**

Rate: 10/100M, full/duplex auto-negotiation  
Protocol: Support IEEE 802.3, IEEE 802.1Q (VLAN)  
MAC Address Entries: 4096 Entries  
Total Memory Sizes: 64MBits SDRAM  
Physical interface: RJ45, support AUTO-MDIX

**E1 Interface:**

Interface standard: Conforms to G.703 standard  
Interface rate: N×64Kbps, N:1~32  
Vibration characteristic: Satisfies G.742 and G.823 standard  
Transmission capacity: 1\*E1  
Clock type: internal-clock, route clock  
Connector: BNC (75 Ω), RJ45 (120 Ω)  
Interface impedance: 75Ω (non- balanced), 120Ω (balanced)

**FXS:**

Alarm voltage: 75V  
Alarm frequency: 25HZ  
2 line input impedance: 600Ω (hanging off)  
Wastage: 40db

**FXO:**

Alarm detecting voltage: 35V  
Alarm detecting frequency: 17HZ-60HZ  
2 line input impedance: 600Ω (hanging off)  
Wastage: 40db

**RS232 port:**

Rate: 300 - 115.2Kbps auto-adaptable (Asynchronous)  
Interface characteristic: satisfies ITU-T V.24 standard  
Connector: RJ45

**E-wire Parameter:**

MAX electric current: 22mA

Saturation voltage: 3V

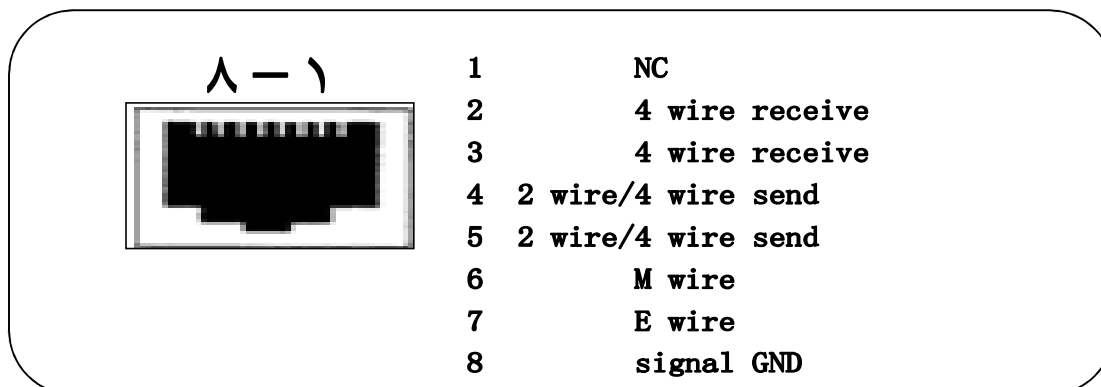
Dial speed: >20pps

**M-wire Parameter:**

Constant current: 7mA

MIN detecting current: 5mA

pulse dial identify : >20pps





**Power supply:**

working voltage range wide, good  
anti-disturb and Isolation, work stable  
Option I – DC-48V, range DC-36V~DC-72C  
Option II – AC220V, range AC165V~AC240V

Power Consumption: <=3 Watts

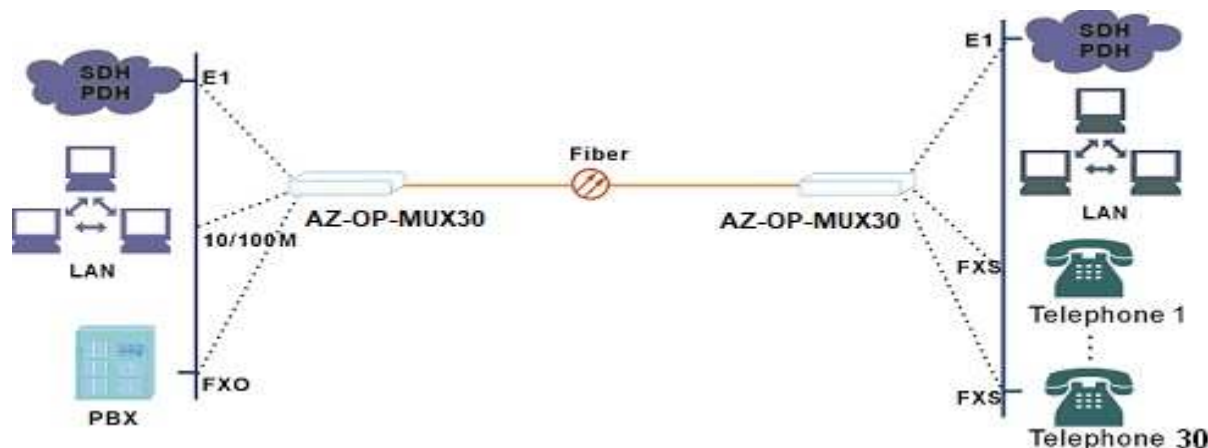
**Dimension (19inch rack mount):**

- ◇ 433mm(L)
- ◇ 138mm(W)
- ◇ 44mm(H)

**Environment condition:**

Operating temperature: 0C~+50 C  
Storage temperature: -20 C~+70 C  
Relative temperature:95% (uncondensed)

**Typical application:**



**Order information:**

AZ-OP-MUX30	30channel voice over Fiber multiplexer, voice interface support FXS or FXO,SC/FC connector, dual fiber,20km,power AC 220V or DC48V.
AZ-OP-MUX30/4ETH	4*Ethernet+30POTS(FXS/FXO) over Fiber multiplexer, voice interface support FXS or FXO,10/100M ethernet,SC,20km,power AC220V or DC48V
AZ-OP-MUX30/4ETH/4E1/2RS232	30POTS+4E1+4Ethernet+2RS232 over Fiber multiplexer, voice interface FXS or FXO,E1 port 75ohm(BNC connector) or 120ohm(RJ45 connector),10/100M ethernet,SC,20km,power AC220V or DC48V